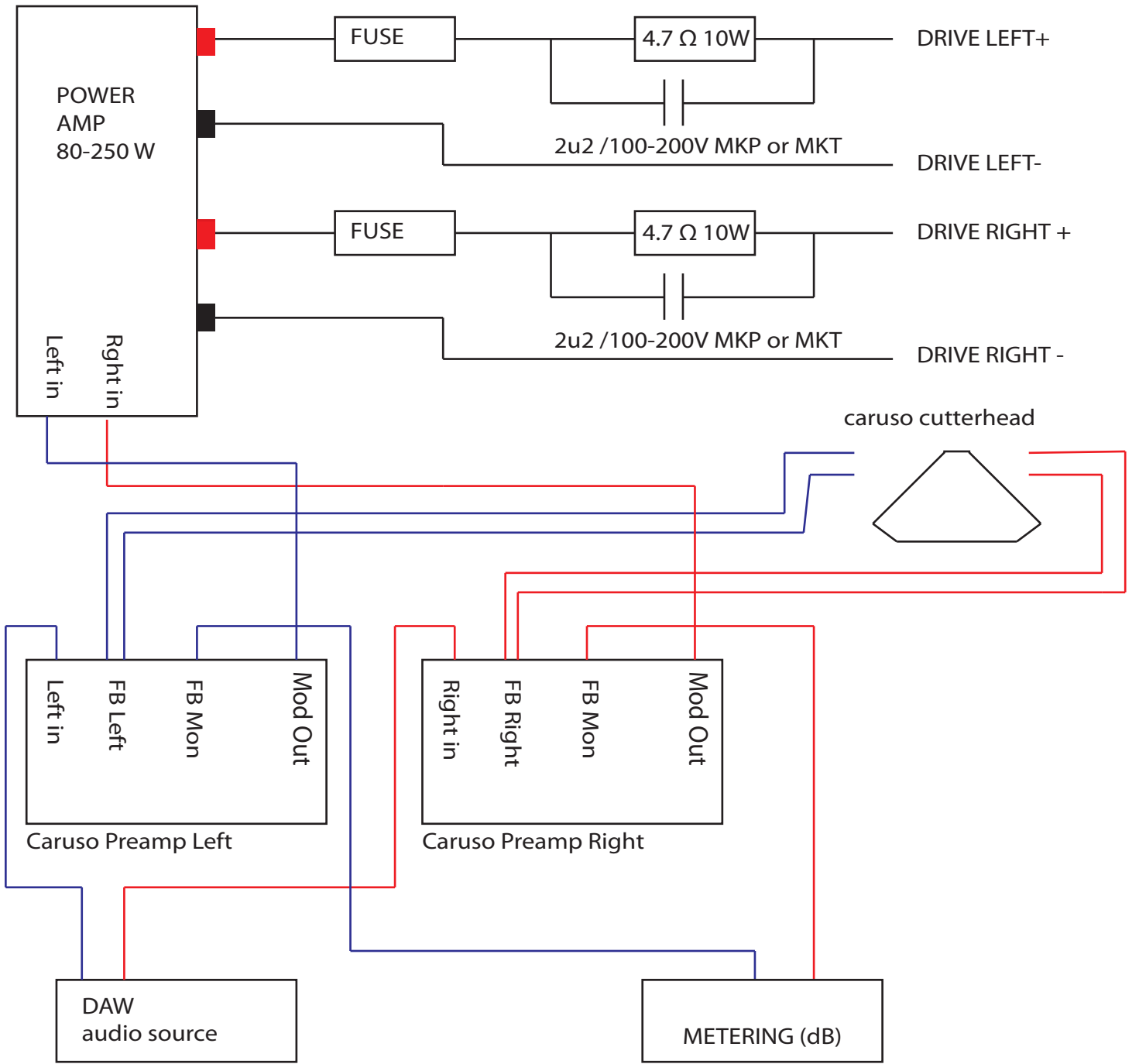


CARUSO CUTTERHEAD SETUP SCHEMATICS v1.0 15.06.2015



- PIN1 FB LEFT +
- PIN2 FB LEFT SH
- PIN3 DRIVE L+
- PIN4 HEATER +
- PIN5 HEATER -
- PIN6 DRIVE R+
- PIN7 FB R SH
- PIN8 FB R +
- PIN9 FB LEFT -
- PIN10
- PIN11 DRIVE L -
- PIN12
- PIN13 DRIVE R -
- PIN14
- PIN15 FB RIGHT -